

Endo GIA™ Reloads with Tri-Staple™ Technology

Outstanding Performance Across a Broader Range of Tissues and Applications

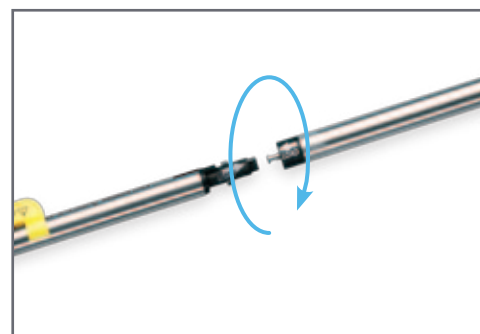
Select a Reload

RELOAD SELECTION CHART				
Extra-Thin Range	Thin Range	Medium Range	Thick Range	Extra-Thick Range
Vascular				
Endo GIA™ Reloads without Tri-Staple™ Technology				
2.0mm	2.5mm	3.5mm	4.8mm	
12mm port			15mm port	
New Endo GIA™ Reloads with Tri-Staple™ Technology				
Extra-Thin/Vascular†				
Vascular/Medium		Medium/Thick		Extra-Thick
12mm port			15mm port	
Ethicon Echelon™*/ETS Reloads				
Thin/Mesenteric	Vascular/Thin	Regular	Regular/Thick	Thick
12mm port				

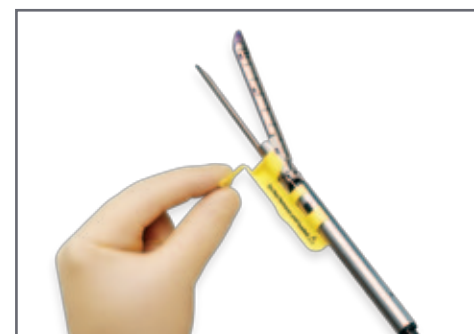
1 REMOVE FROM PACKAGING



2 LOAD INSTRUMENT



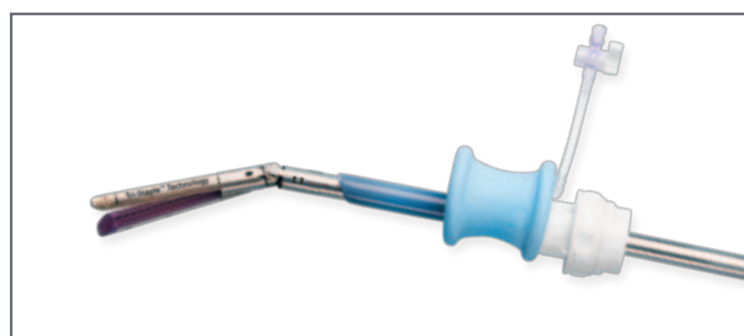
3 REMOVE SHIPPING WEDGE



4 CYCLE THE INSTRUMENT



5 CLOSE INSTRUMENT, FULLY INSERT, OPEN JAWS



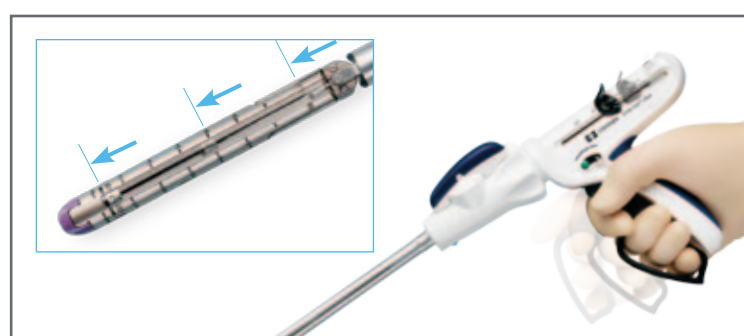
6 CLOSE JAWS AROUND TISSUE



7 PUSH SAFETY



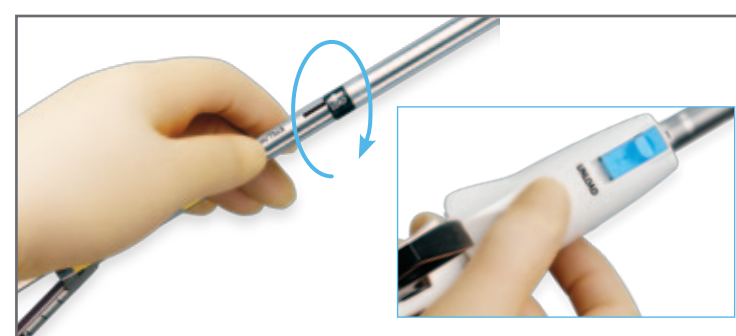
8 FIRE



9 OPEN



10 UNLOAD



ALWAYS REFER TO THE INSTRUCTIONS FOR USE INCLUDED WITH THE PRODUCT FOR COMPLETE INDICATIONS, INSTRUCTIONS, WARNINGS, PRECAUTIONS AND CONTRAINDICATIONS.

GENERAL CAUTIONS: 1. **Caution:** Do not attempt to remove the shipping wedge until the reload is loaded into the instrument. 2. **Caution:** Do not clamp instrument prior to removing shipping wedge. 3. **Caution:** The anvil must be completely visible (past the trocar sleeve) prior to opening the RELOAD within the body cavity. This does not pertain to the Endo GIA™ Ultra Universal Stapler. 4. **Caution:** Do not squeeze the instrument handle when pulling back on the black knob. **CURVED TIP ONLY CAUTIONS:** 5. **Caution:** In case of a curved tip reload, ensure that the tissue/vessel to be transected does not extend beyond the black cut line on the reload. The device will only cut to the black cut line. Tissue contained within the jaws distal to this line will not be transected. 6. **Caution:** The curved tip reload cannot be used for blunt dissection with the introducer attached. 7. **Caution:** Do not apply excessive force to the introducer; excessive force may separate it from the anvil. **GENERAL CAUTIONS:** 8. **Caution:** When positioning the stapler on the application site, ensure that no obstructions (such as clips) are incorporated in the instrument jaws. Firing over an obstruction may result in incomplete cutting action and/or improperly formed staples. The instrument will not cut tissue beyond the black cut line indicated on the single-use reload. More than one application of the staple may be necessary for tissue exceeding the length of the reload (30mm, 45mm or 60mm). 9. **Caution:** Placement of tissue proximal to the tissue stops (on the reload) may result in stapler malfunction. Any tissue extending beyond the distal cut line will not be transected. 10. **Caution:** When using the stapler more than once during a SINGLE surgical procedure, be sure to remove the empty Endo GIA™ single-use reload and load a new one. A safety interlock is provided that prevents an empty single-use reload from being fired a second time. Do not attempt to override the safety interlock.

† Extra-Thin/Vascular reload contains three rows of 2.0mm staples (non-varied-height) and contains all of the other features and benefits of an Endo GIA™ Reload with Tri-Staple™ Technology.

COVIDIEN, COVIDIEN with logo, Covidien logo and positive results for life are U.S. and/or internationally registered trademarks of Covidien AG.™* Trademark of its respective owner. © 2010 Covidien.