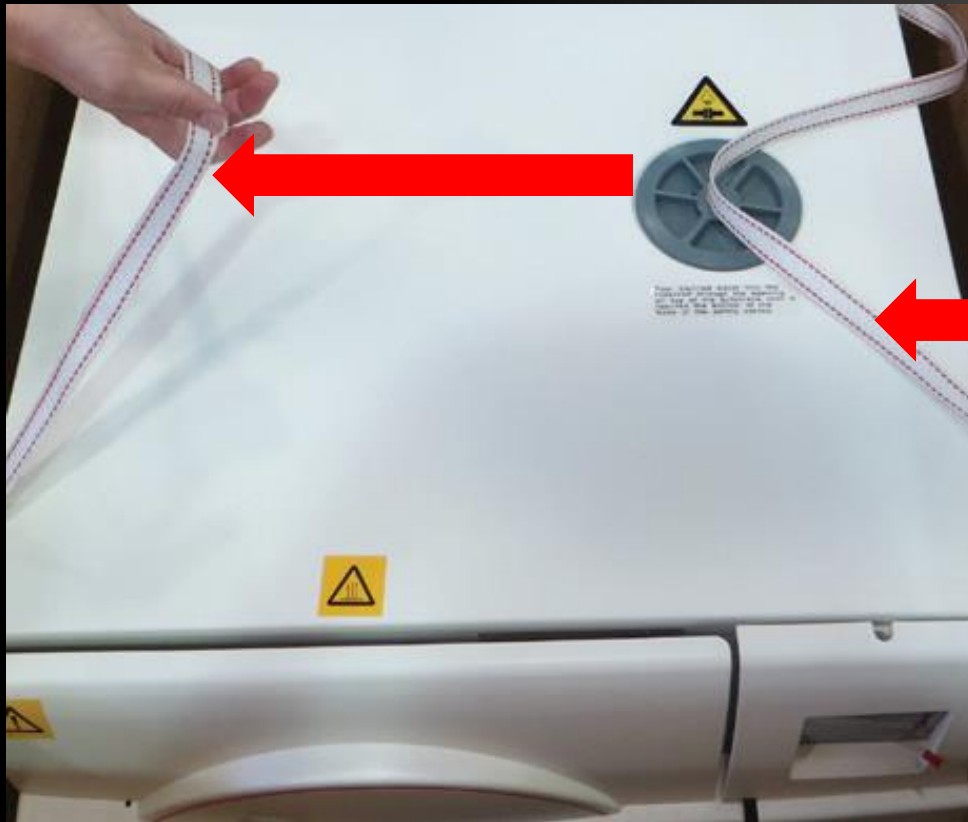




EZ9Plus & EZ11Plus Instructions on: “Installation”




Tuttnauer[™]
Your Sterilization & Infection Control Partners



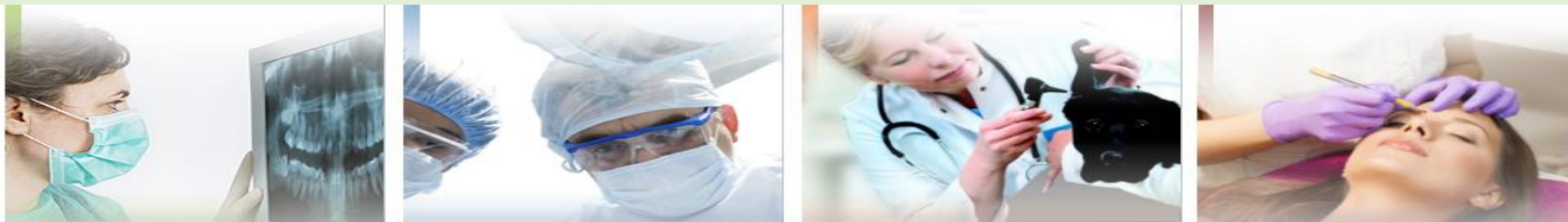
Step 1

Examine the outer carton and autoclave for any signs of damage. Immediately notify your dealer or Tuttnauer USA of any signs of damage.

Step 2

To avoid injuries, lifting and carrying should be done by two people.

- Lifting straps have been installed for your convenience. Lifting straps are for one time use only and should be removed and discarded after initial set up.





Step 3

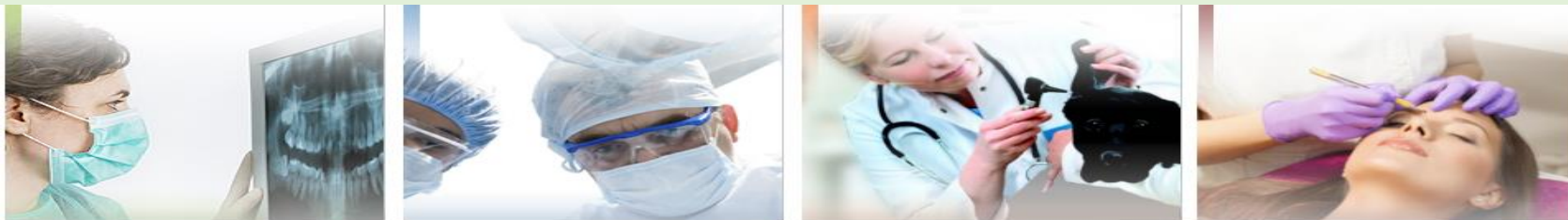
Place the sterilizer on a rigid level surface. The counter top or stand must be able to support

- 175 lbs. for the EZ9Plus
- 190 lbs. for the EZ11Plus

Step 4

The minimum depth of the counter top needs to be 22 inches initial set up.

Leave a minimum of 2" (50mm) space around the back and sides of the unit. Make sure all the feet are on the autoclave and none of them have been lost.



Step 5

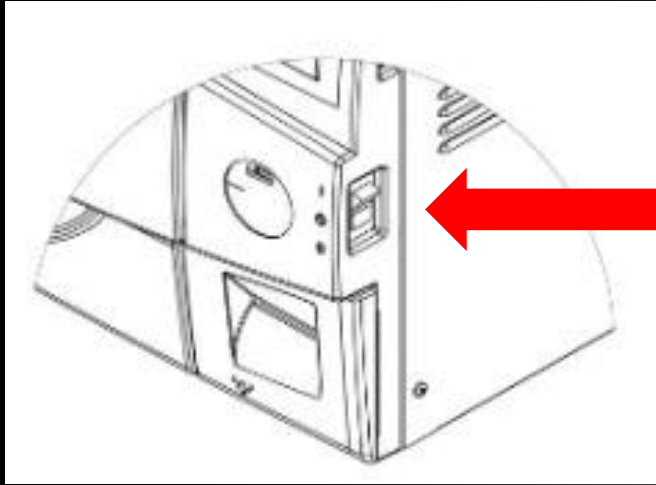
Connect the power cord to the socket on the rear of the autoclave; then plug it into the supply outlet. The supply outlet must be a properly grounded outlet. It is mandatory to have installed an earth leakage relay (GFCI outlet or circuit breaker).

Step 6

The voltage supplied to the autoclave must comply with the voltage requirements stipulated on the device label $\pm 5\%$ (the device label is affixed to the side of the autoclave).

It is recommended that the device be on a dedicated electrical circuit.





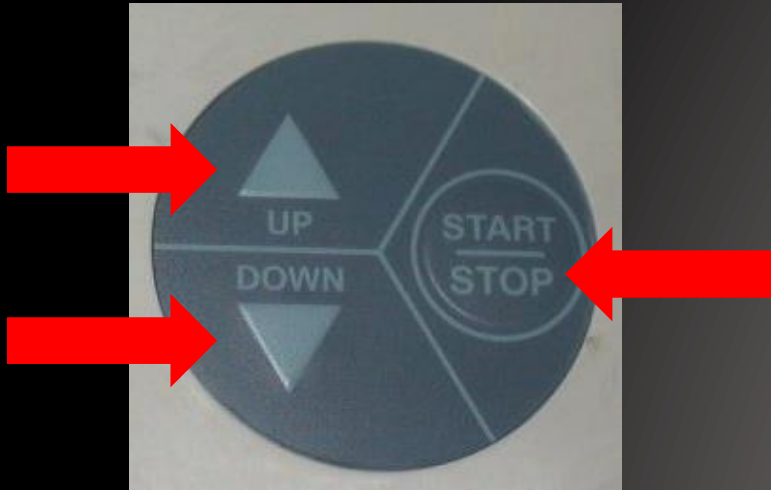
Step 7

Turn on the power switch, located on the right side of the unit. A "Set Date and Time" message will appear on the screen. (On initial set up, the date and time must be set to reset the internal clock on the unit.)

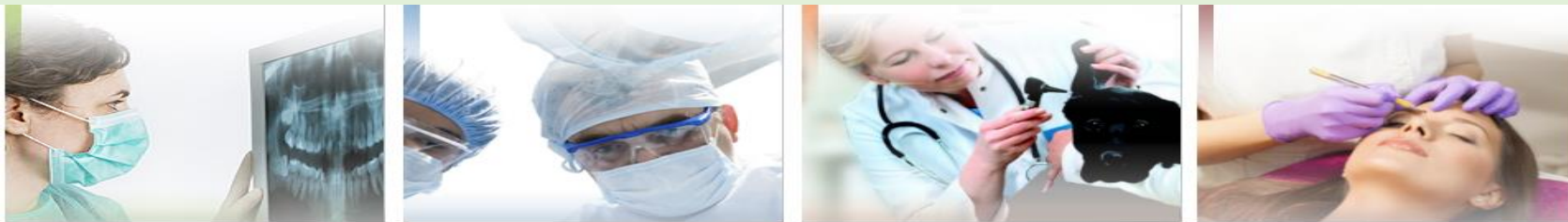


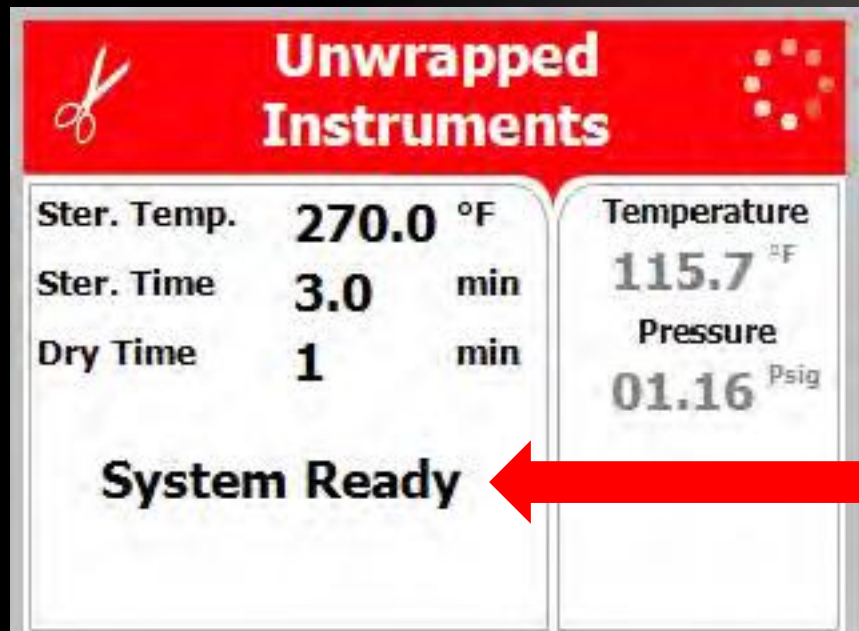
To Set Date and Time follow these steps:

To set the date and time use the UP and DOWN keys to change the blinking digit. Use the START/STOP key to move to the next digit.



- The time is displayed in the upper row in the form "HH:MM".
- The time is in a 24 hour format (i.e. 14:30 = 2:30 PM)
- The date is displayed in the lower row in the form "DD/MMM/YYYY" (e.g. 05/APR/2012)
- When all changes are completed, use the START/STOP key to move to SET, then use the UP or DOWN key to set the new date and time (this needs to be done even if the date and time are correct).
- When saving is completed, the main screen will appear

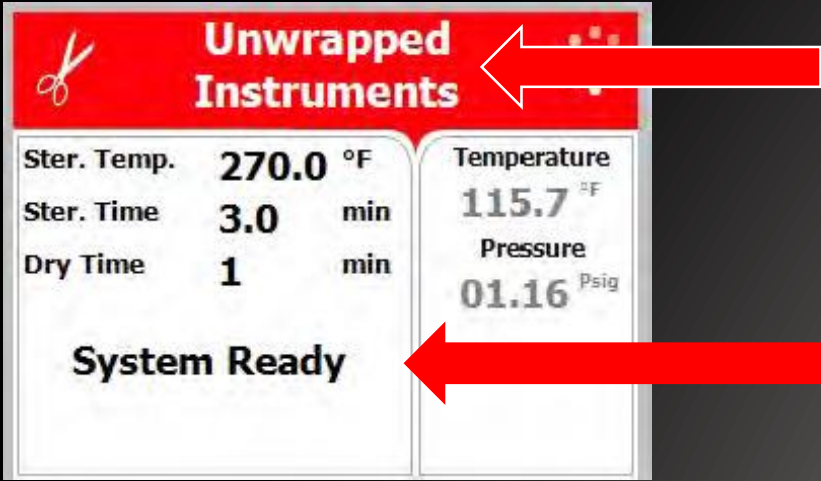




This machine is equipped with an electronic door lock. The door will **not open when the power is off** or the display screen **does not read System Ready**



WARNING:



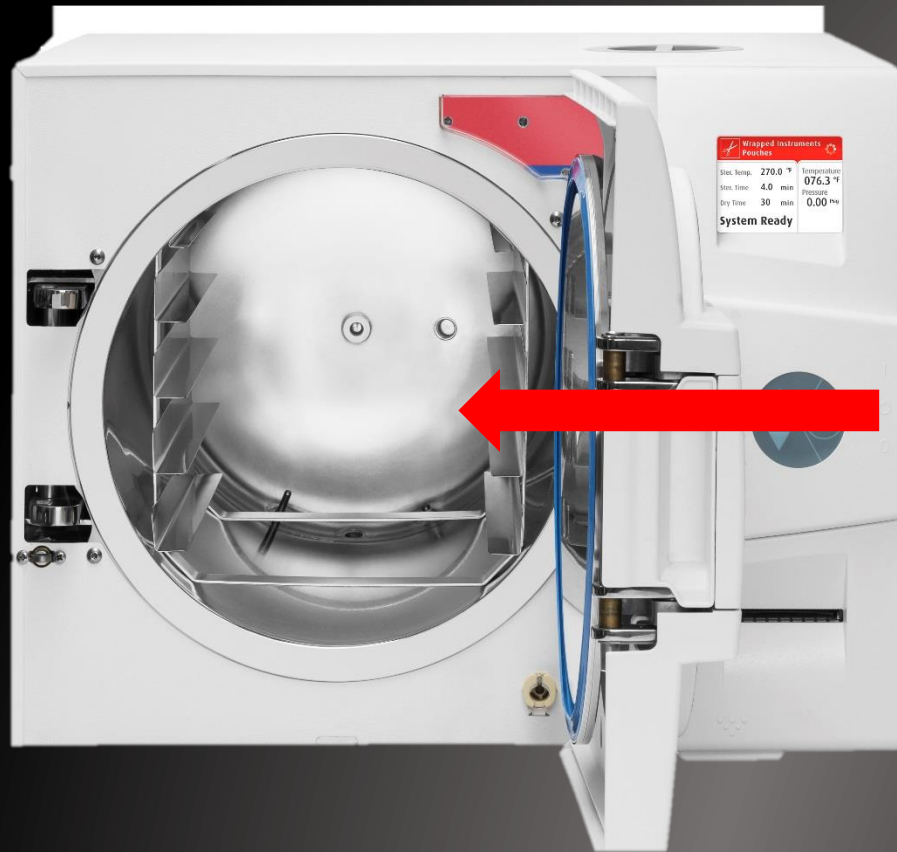
The EZ11Plus is equipped with a pre-heat mode for the “Wrapped Instruments, Pouches”, “Handpieces” and “Custom A” cycles. Upon initial set up and after turning on the power switch, it is **critical** to select the “Unwrapped Instruments” cycle and to empty the chamber of all packing materials. To do so:

- Open the door immediately after System Ready appears on the screen and use either arrow key on the EZPad to advance to the “Unwrapped Instruments” cycle.



This will turn off the pre heating mode
(the EZ 9Plus does not have this pre heating feature)





Step 8
Remove all accessories
and plastic material
from the chamber



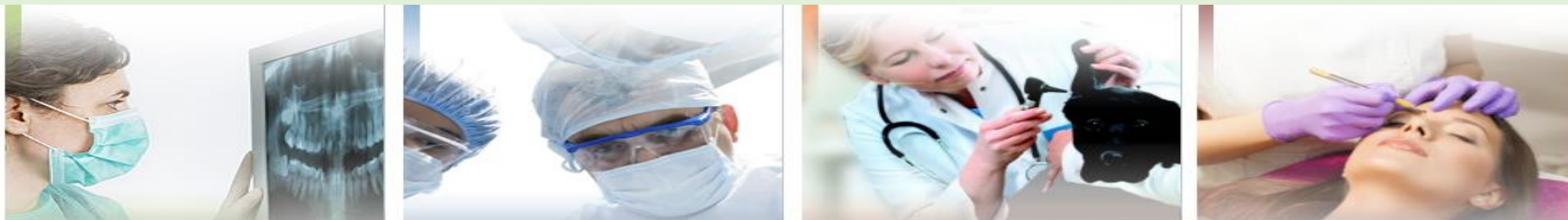

Tuttnauer[™]
Your Sterilization & Infection Control Partners

Step 9A: Fill the reservoir, using one of the two options below, with steam distilled water

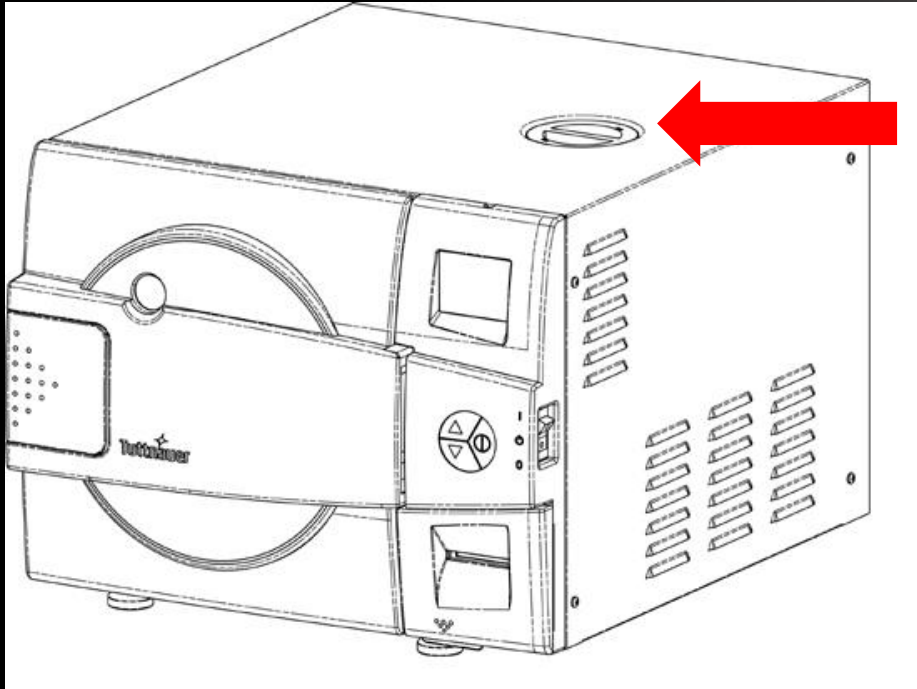


OPTION ONE: Fill from the front funnel as follows:

- Open the door. (The autoclave needs to be on for the door to open).
- Pour steam distilled water, gently, into the front funnel until it reaches the top of the blue area on the level gauge.
- If water is filled above the blue area into the red area then use the drain hose to drain off the over fill



Step 9B: Fill the reservoir continued



OPTION TWO: Fill from the opening at top as follows:

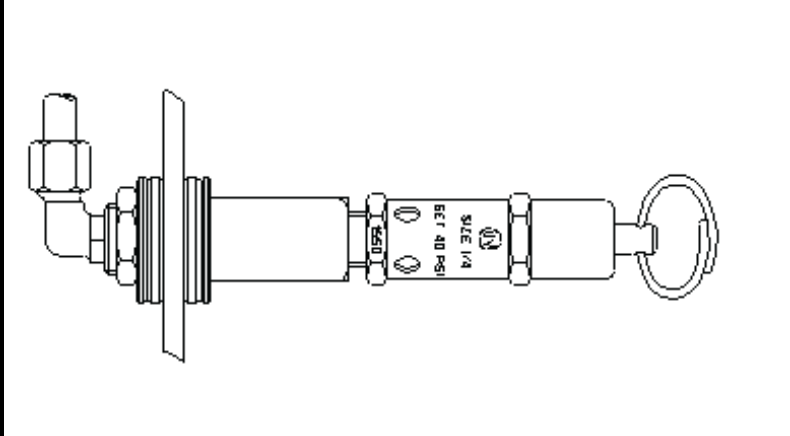
- Remove the water reservoir cover.
- Pour steam distilled water into the reservoir through the opening on top of the autoclave until it reaches the base of the safety valve holder or reaches the top of the blue area of the front level gauge.

(NOTE: the reservoir is designed with an over flow. Filling the reservoir above the safety valve will cause excess water to spill out below the machine onto the counter.)



Step 9B: Fill the reservoir continued

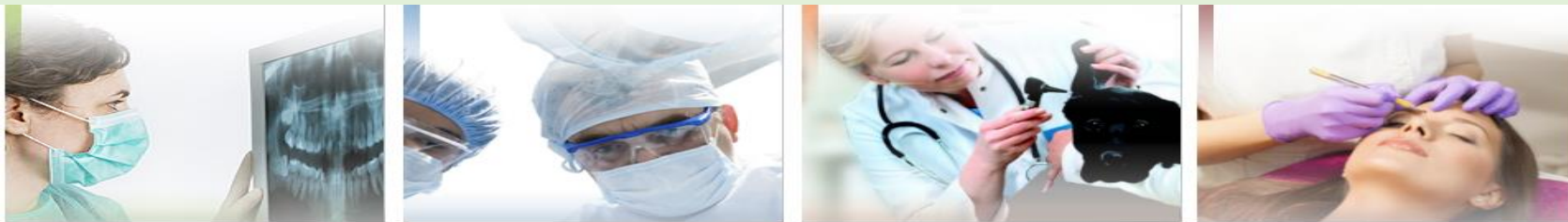
Safety Valve Holder



OPTION TWO continued:

- Under no circumstance should water be filled above the safety valve holder (located in the reservoir).
- In case more water is accidentally filled above the blue area, decrease the water level by using the drain hose to drain the reservoir before starting a cycle

(NOTE: the reservoir is designed with an over flow. Filling the reservoir above the safety valve will cause excess water to spill out below the machine onto the counter.)



The unit is now ready to run sterilization cycles.

This Quick Installation Guide is an excerpt from the Operator's Manual. The Operator's Manual should be read in full to gain an understanding of proper use and maintenance of this autoclave. The Operator's Manual should also be saved for reference.

