

REF

**WWV90PK Converting from a Table Top to a Pole Mount****SurgiVet™****Rx  
ONLY**

For use by or on the order of a licensed veterinarian.



Attention, see operation manual for additional instructions for use.

**CDS9000 Pole Mount Kit Assembly Instructions  
to be used with WWV9010, WWV9011, or WWV9012****Table Top Base Removal Instructions**

1. Remove vaporizer from machine.

**WARNING! Do not tilt vaporizer. It is recommended to drain vaporizer before removing from machine.**

2. Hold the machine head firmly and remove the four (4) 1/2" button head screws.

**Pole Mount Assembly Instructions**

1. Assemble the mounting arm to the machine head using the 1/4" nylon washers and the 3/4" button head screws.

**NOTE: The mounting arm must be installed behind the frame of the machine head.**

2. Tighten each button head screw firmly using a 5/32" Allen Wrench.
3. Insert the mounting arm with the machine head attached into the pole.
4. Align the threaded hole in the mounting arm with the hole at the back of the pole.
5. Install the 1 1/2" button head screw into the pole and thread into the mounting arm.

**NOTE: Be careful not to cross thread.**

6. Tighten the button head screw using a 5/32" Allen Wrench.
7. Install vaporizer.

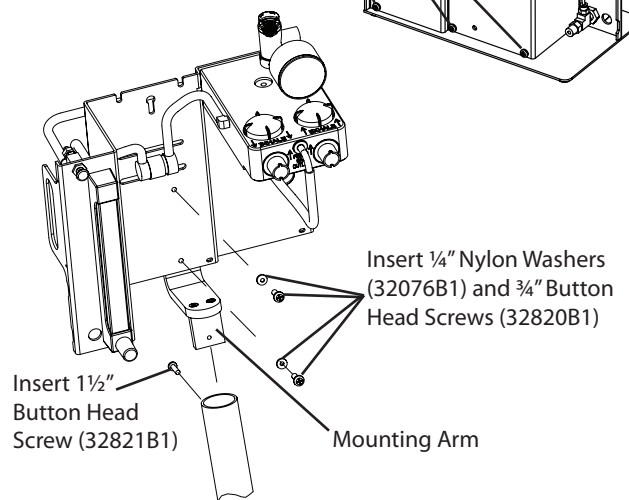
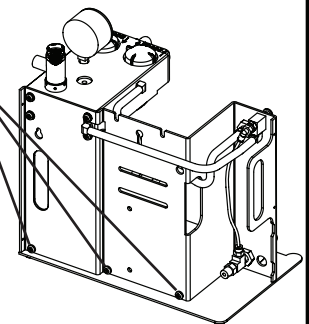
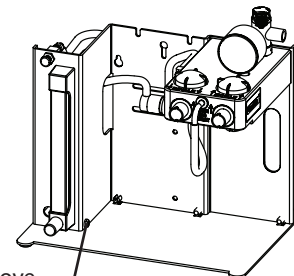
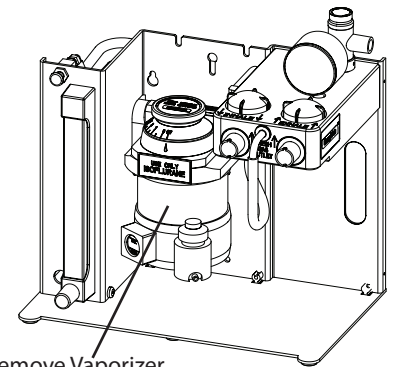
The WWV90PK CDS9000 Pole Kit includes:

PART #	DESCRIPTION	QTY
32076B1	1/4" Nylon Washer	2
32820B1	3/4" Button Head Screw	2
32821B1	1 1/2" Button Head Screw	1
32804B1	Mounting Arm	1
32028B6	Pole	1
32059B1	Chrome Base	1
32357B1	Caster	5
32411B2	5/32" Allen Wrench	1

©2009 Smiths Medical Family of companies. All rights reserved.

SurgiVet and the Smiths design mark are trademarks of the Smiths Medical family of companies. The symbol ® indicates the trademark is registered in the U.S. Patent and Trademark Office and certain other countries.

Manufactured By: Smiths Medical PM, Inc.  
N7W22025 Johnson Drive  
Waukesha, Wisconsin 53186  
Phone: 1-262-513-8500  
Toll-Free: (U.S.A. only) 1-888-745-6562  
Fax: 1-262-542-0718  
www.surgivet.com

**smiths medical**